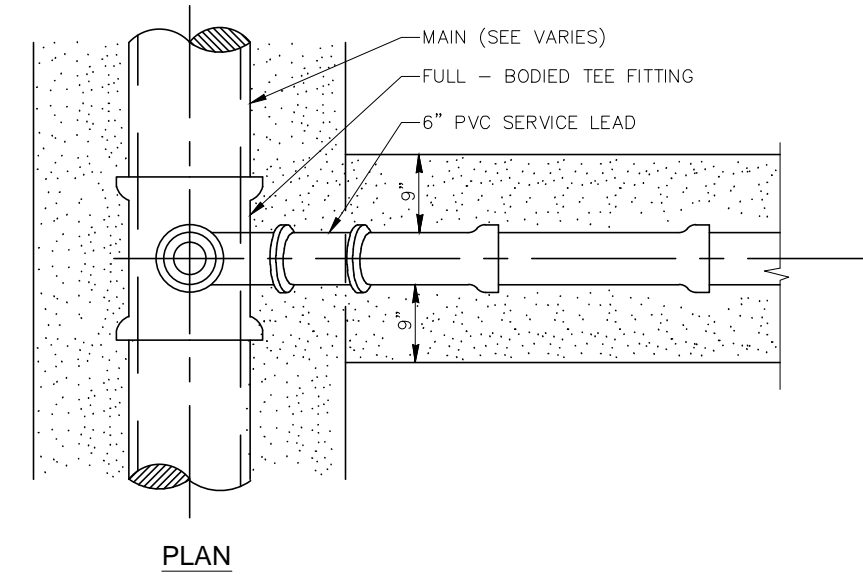
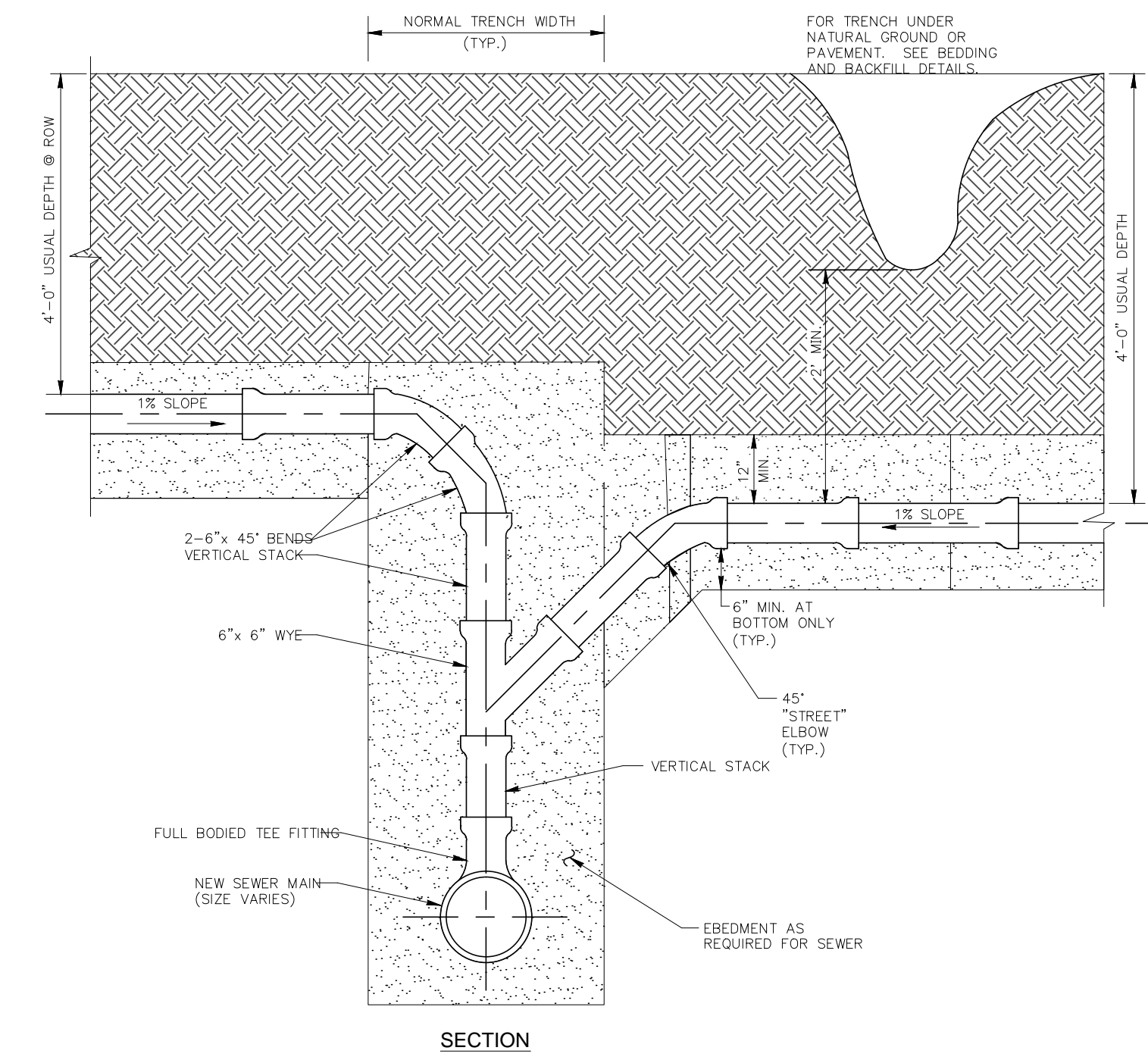
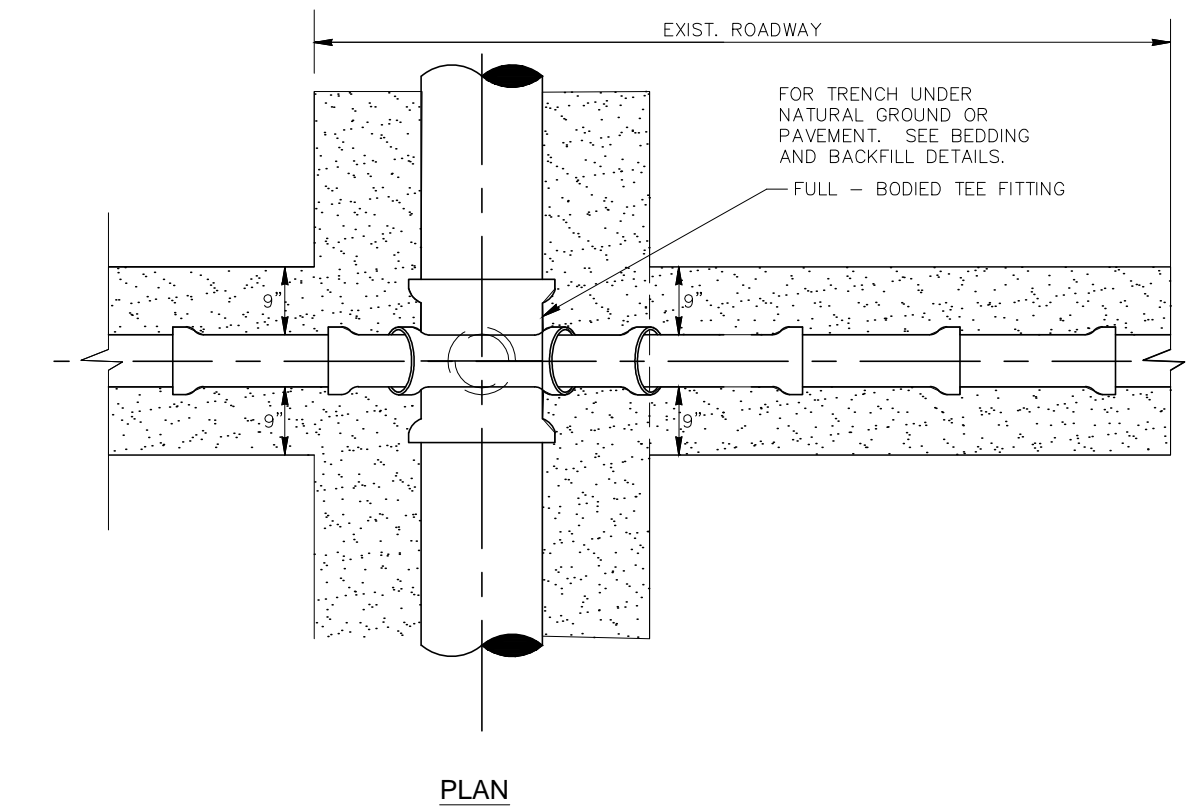


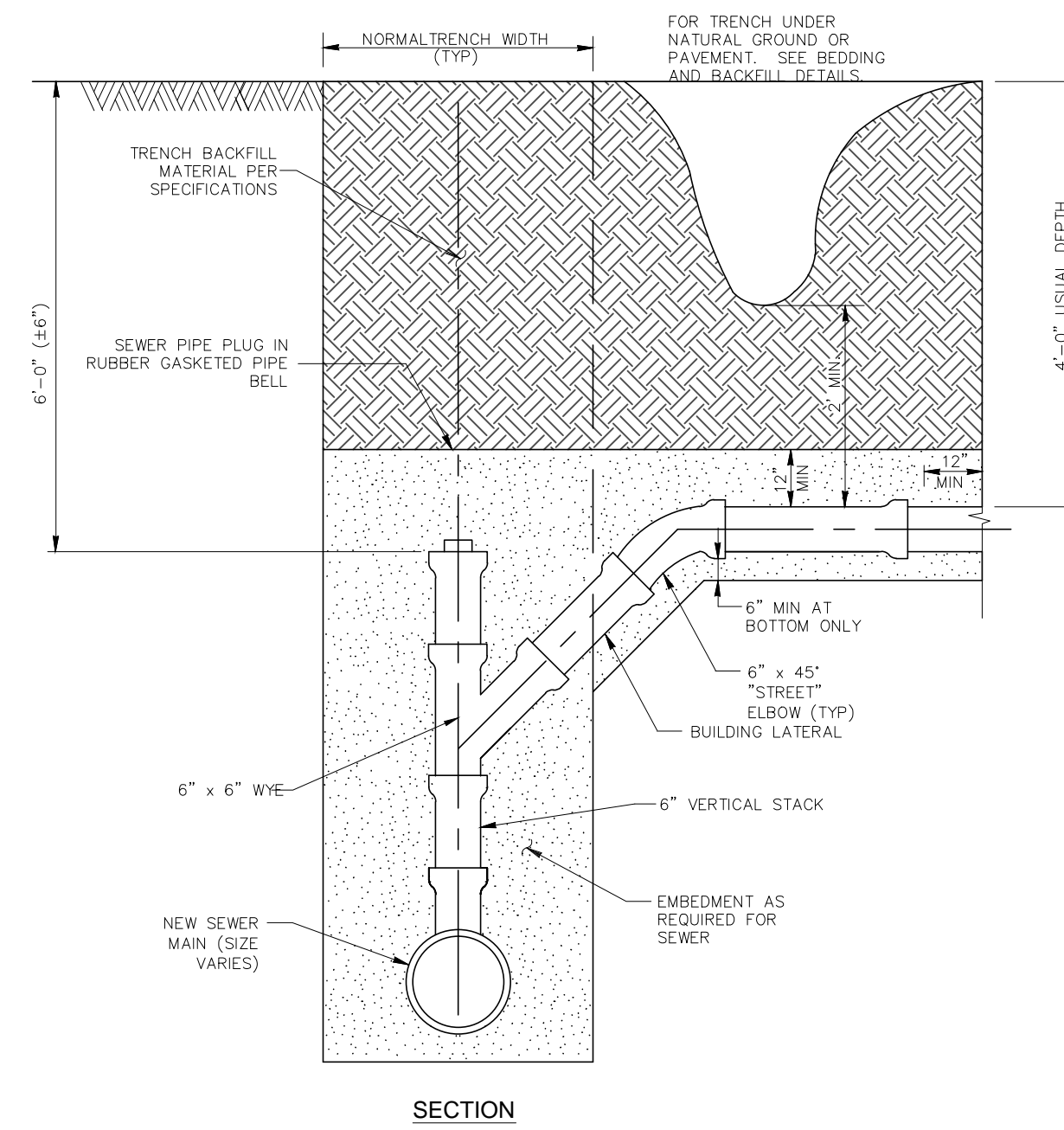
STANDARD CONNECTION SINGLE OR DOUBLE SERVICE



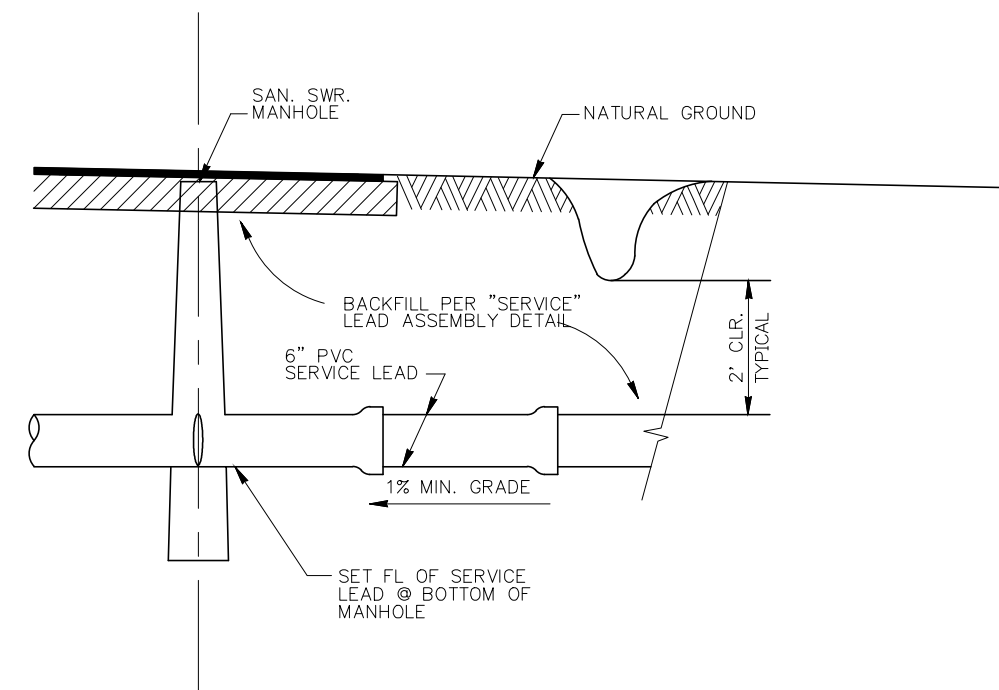
SINGLE BEDDING AND BACKFILL DETAILS



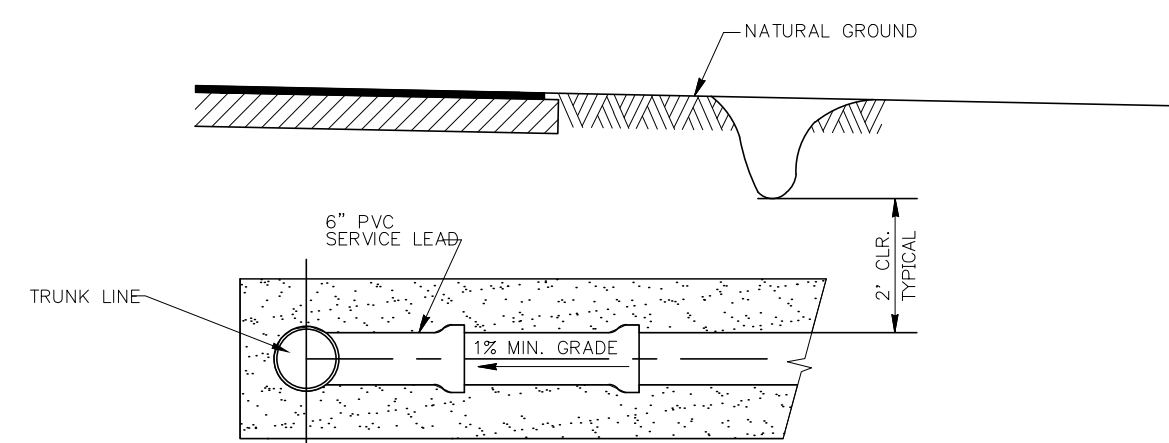
DUAL SIDE STACK W/ SINGLE OR DOUBLE SERVICE CONNECTIONS



SINGLE SIDE STACK W/SINGLE OR DOUBLE SERVICE CONNECTION



AT CONNECTION TO MANHOLE



AT CONNECTION TO PIPE

SHALLOW SEWER SERVICE CONNECTION

MK.	DESCRIPTION	DATE	DWN.	CHK.



City of Galveston, Texas

Department of Public Works

Sanitary Sewer Service
Construction Details

SHEET No.:	SCALE:	SHEET
DATE: JULY, 2011	HORZ : _____	OF _____
DWN BY:	VERT : _____	
CHKD BY:	ONE INCH	
	IF ABOVE MARK DOES NOT MEASURE ONE INCH THEN THIS DWG. NOT TO SCALE	