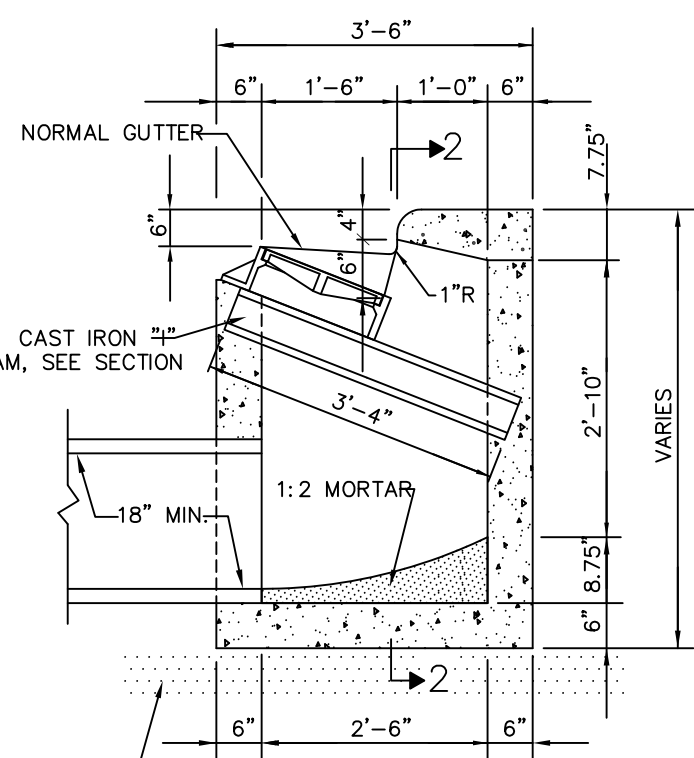


HALF FRONT ELEV. - HALF SECTION

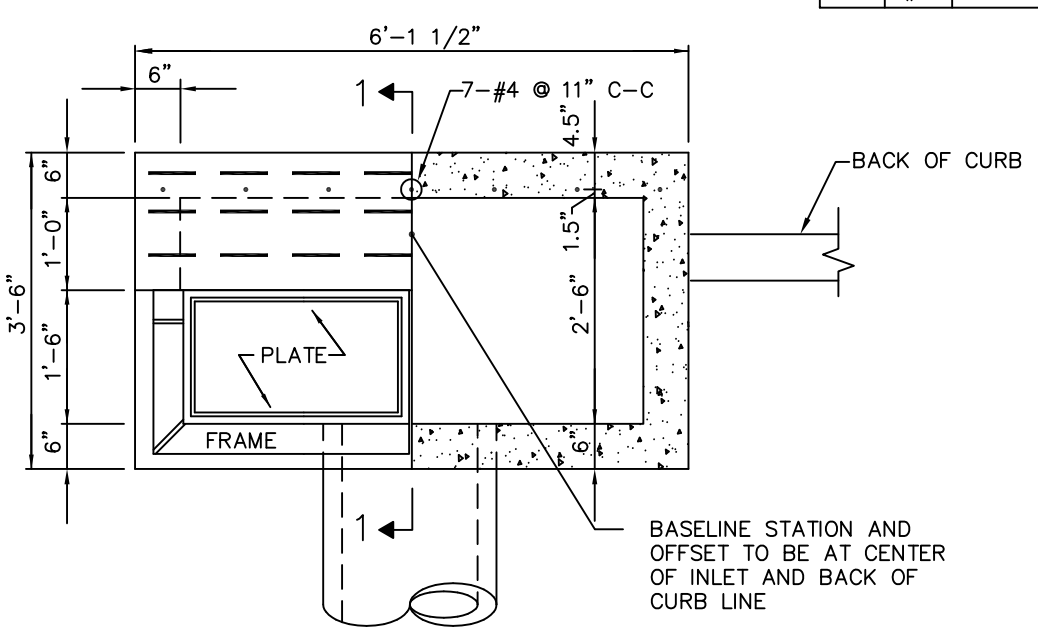
NOTES:
USE CAST IRON FRAME AND PLATE (PER SPECIFICATIONS). LEAD SHALL LEAVE INLET AT LOCATION AND GRADE REQUIRED. BRICK INLETS ARE NOT PERMITTED.

No.	Size	Length	Shp.	Loc.
4	#4	5'-10"	St.	Horiz.
7	#4	0'-10"	St.	Vert.
7	#3	1'-6"	Bt.	

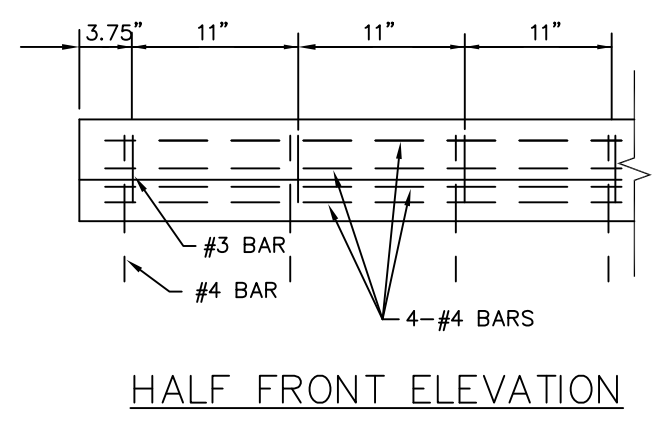


SECTION 1-1

SECTION THRU "I" BEAM

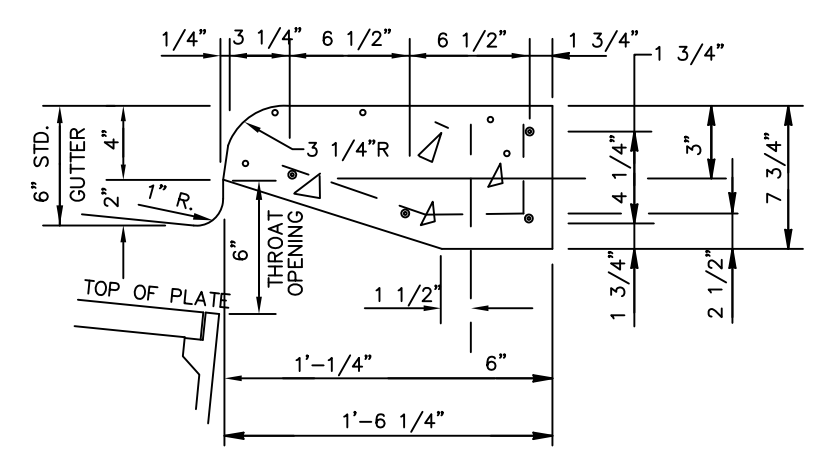


HALF PLAN - HALF HORIZ. SECTION



HALF FRONT ELEVATION

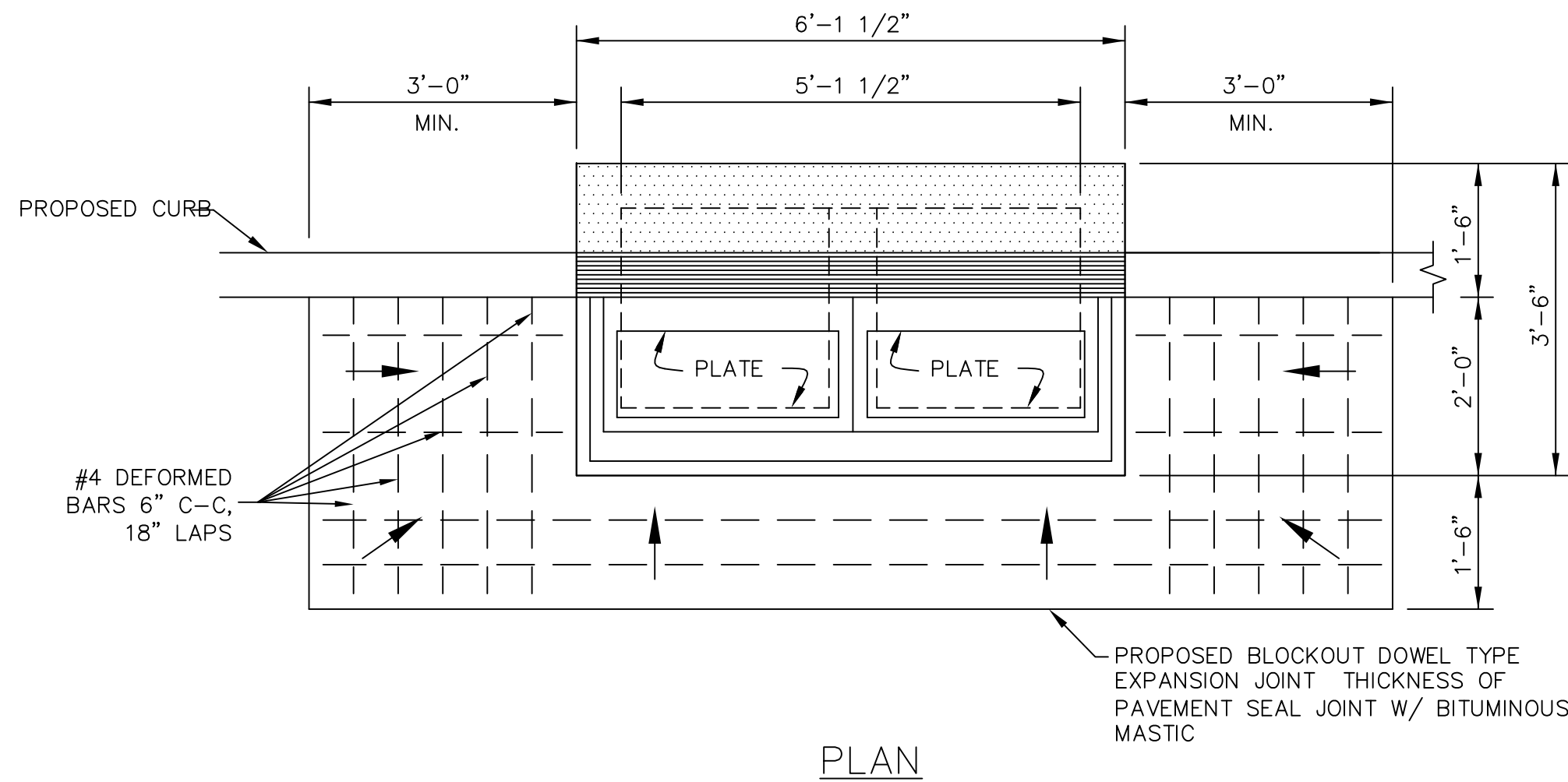
PRECAST CURB BEAM



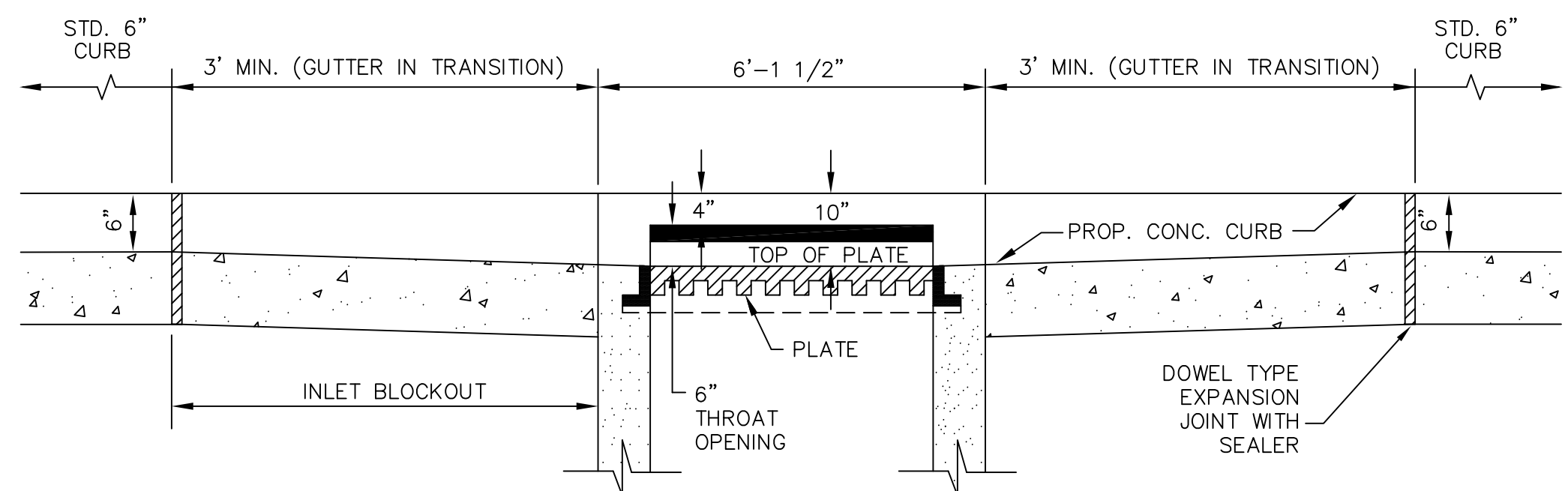
TRANS SECTION

TYPE B-B' INLET

NOT TO SCALE

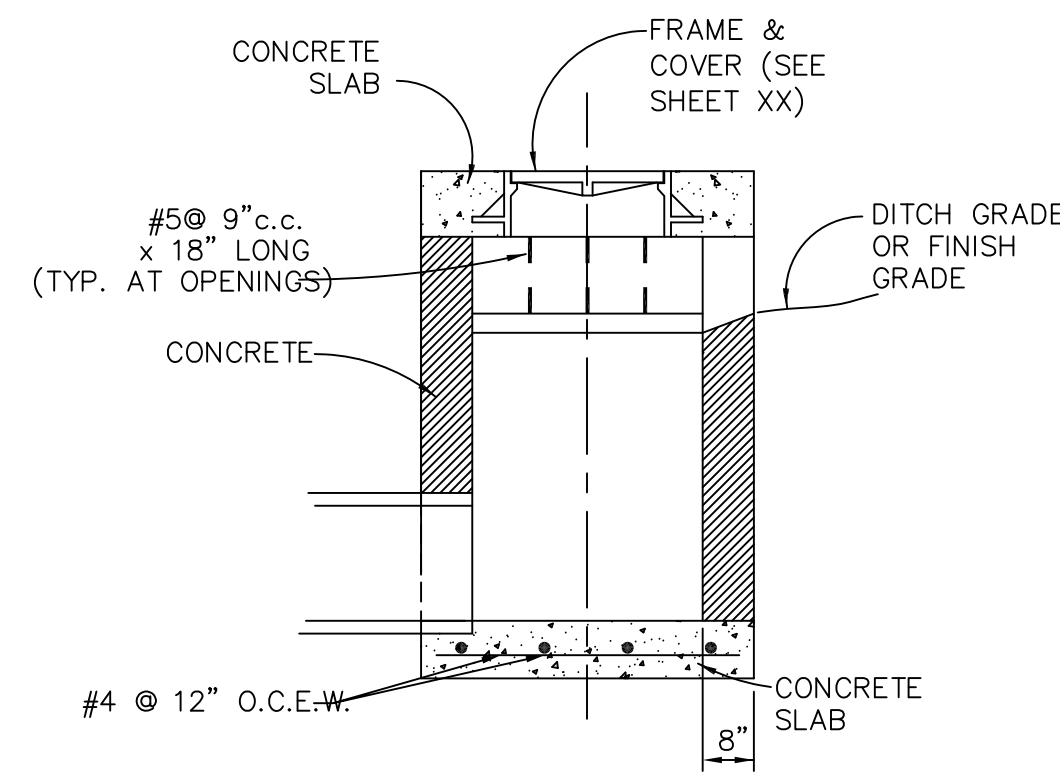


PLAN

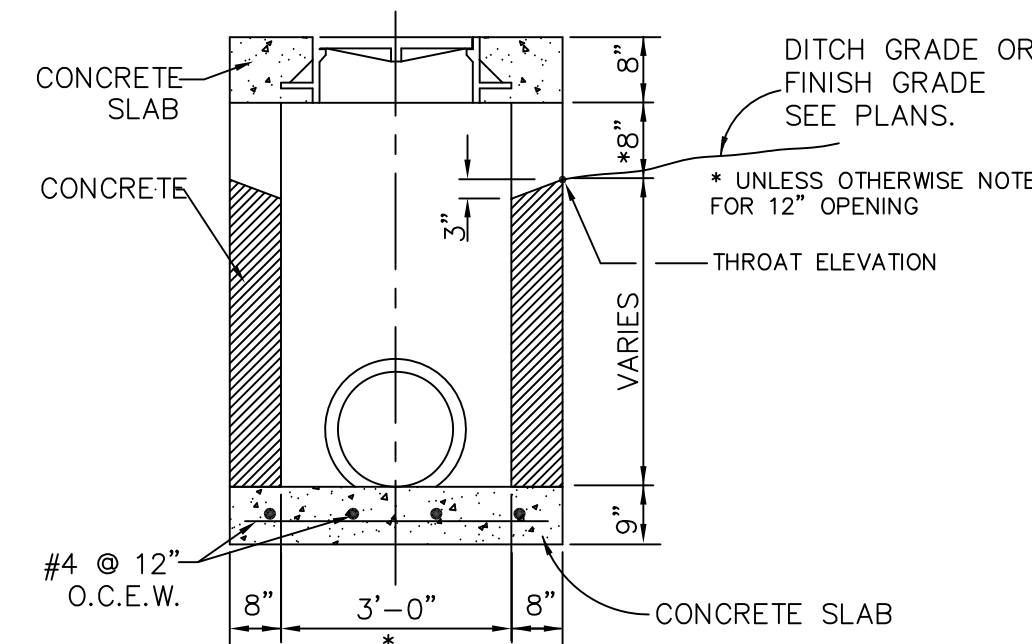


GUTTER DEPRESSIONS FOR TYPE B-B' INLET

NOT TO SCALE

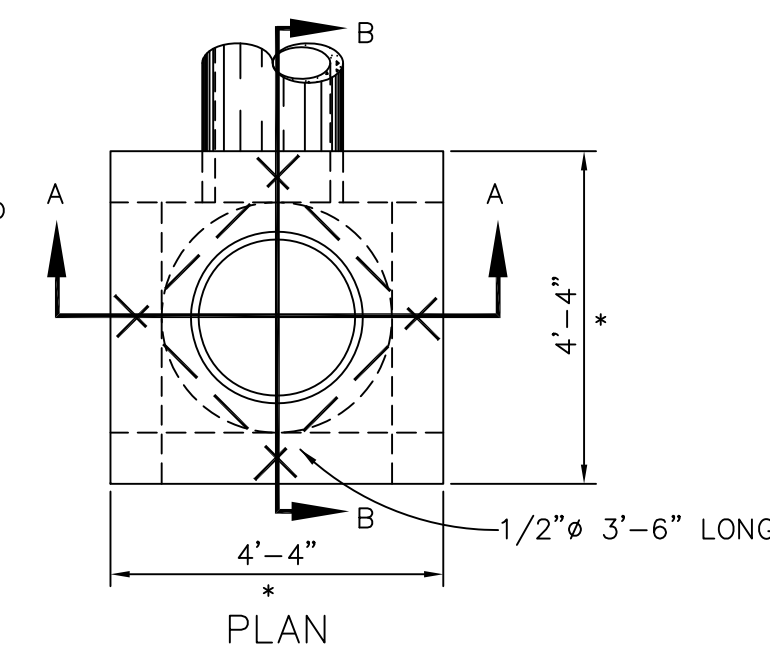


SECTION B-B



SECTION A-A

* SEE NOTE 3.



PLAN

TYPE "E" INLET

NOT TO SCALE

NOTE:

- IF PRECAST INLETS ARE NOT USED, INSTALL #4 REINFORCING BARS AT 6" O.C.E.W. IN WALLS.
- WHERE SIZE OF PIPES PASSING THROUGH INLET EXCEEDS 30", INCREASE INSIDE WIDTH TO DIAMETER OF PIPE PLUS 1'-0" (O.D. + 1'-0")
- WHERE INLETS ARE LOCATED ON BOX CULVERTS OR OTHER FLAT TOP STRUCTURES, MOUNT THEM PER MANWAY DETAIL WITH APPROXIMATELY SIZED SQUARE OPENING.

MK.	DESCRIPTION	DATE	DWN.	CHK.
City of Galveston, Texas				
Department of Public Works				
Storm Sewer Details II				
SHEET NO.:	SCALE:	N.T.S.	SHEET	
DATE: MAY, 2012	ONE INCH		IF ABOVE MARK DOES NOT MEASURE ONE INCH, THEN THIS DWG. NOT TO SCALE	
DWN BY:			OF	
CRD BY:				