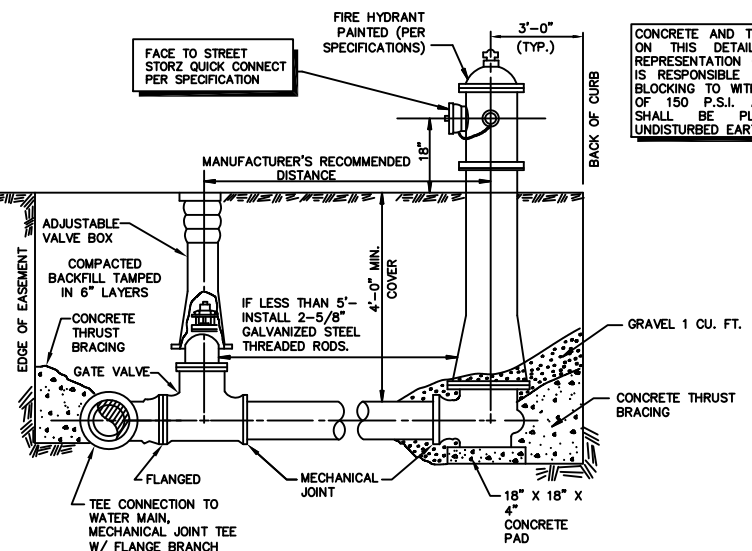
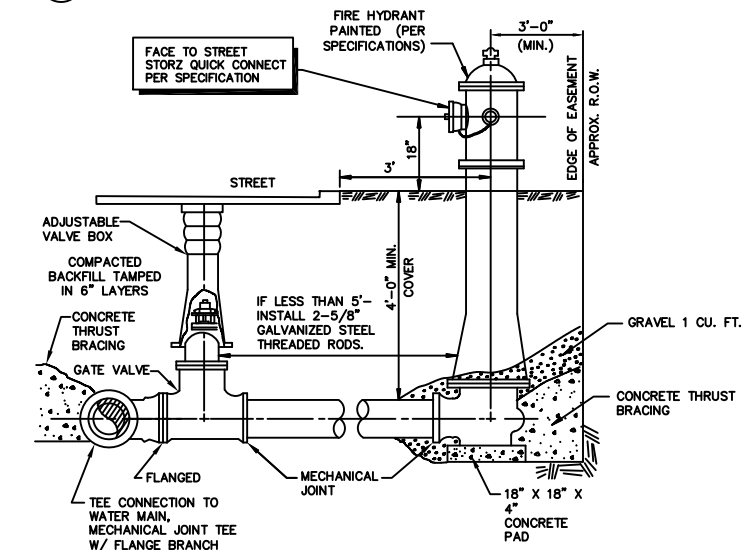


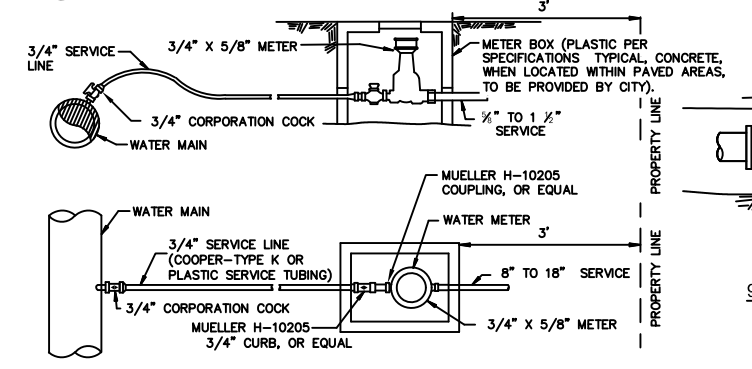
CONCRETE AND TIMBER BLOCKING SHOWN ON THIS DETAIL IS FOR GRAPHICAL REPRESENTATION ONLY. THE CONTRACTOR IS RESPONSIBLE FOR PROVIDING THRUST BLOCKING TO WITHSTAND TEST PRESSURE OF 150 P.S.I. ALL THRUST BLOCKING SHALL BE PLACED AGAINST ALL UNDISTURBED EARTH.



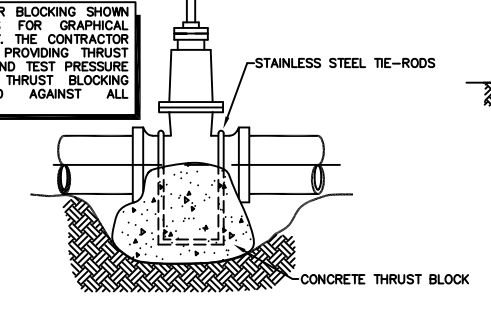
1 Typical Gate Valve and Fire Hydrant Details- Case 1
Scale: NTS



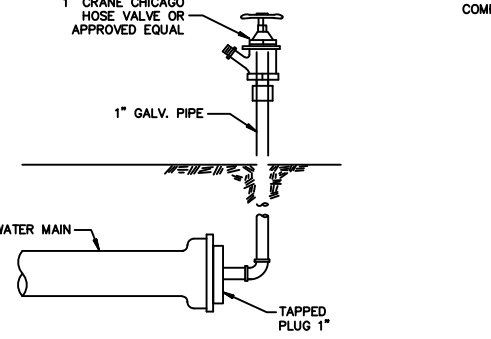
2 Typical Gate Valve and Fire Hydrant Details- Case 2
Scale: NTS



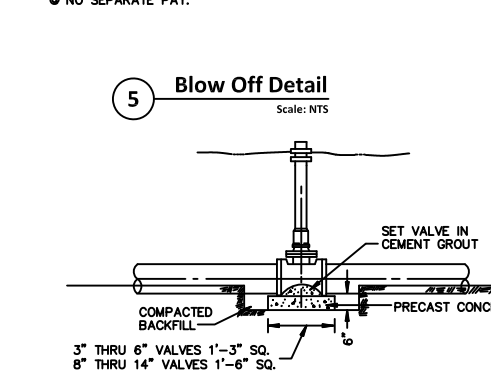
3 Small Meter Installation (Up to 1 1/2\")
Scale: NTS



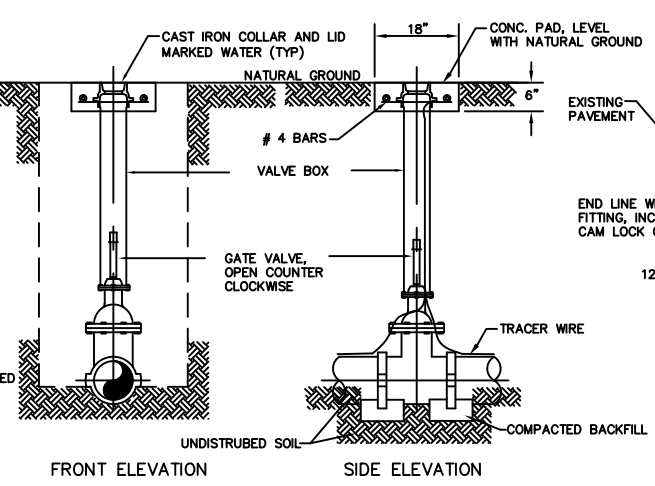
4 Thrust Blocking of In Line Valve Detail
Scale: NTS



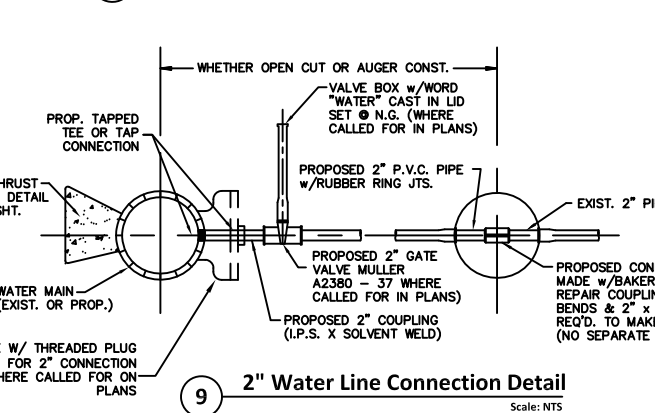
5 Blow Off Detail
Scale: NTS



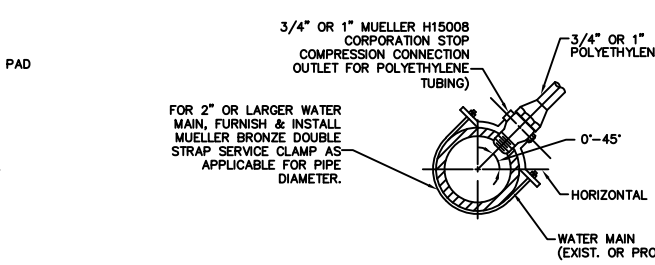
6 Blocking for Valves 14\"/>



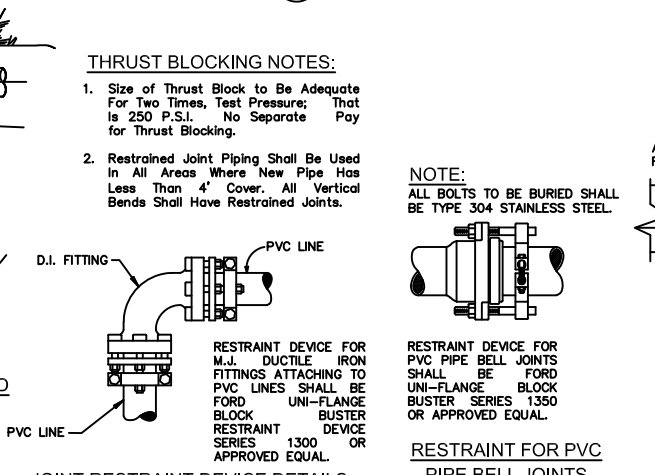
8 Gate Valve Installation Detail
Scale: 1:1



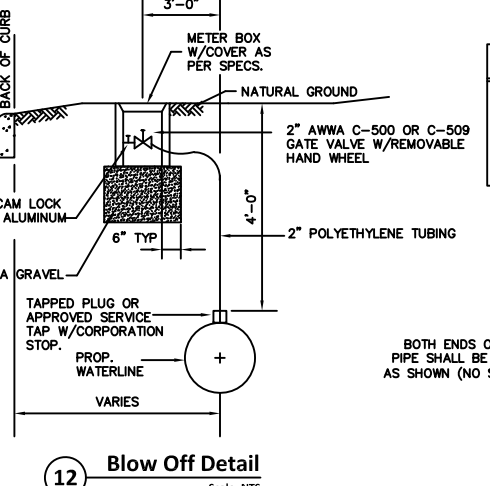
9 2\"/>



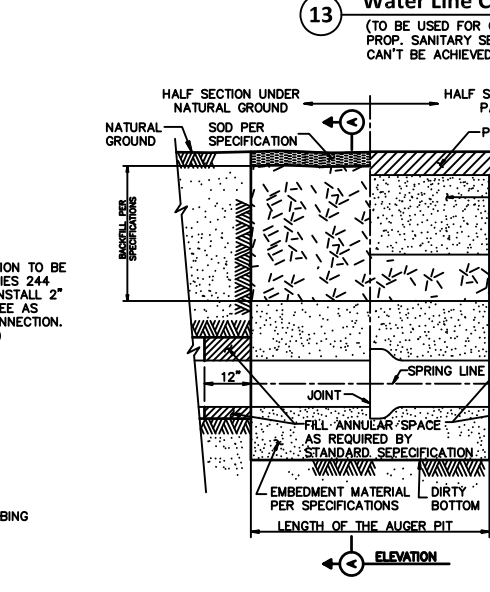
10 Service Clamp & Tap Detail
Scale: NTS



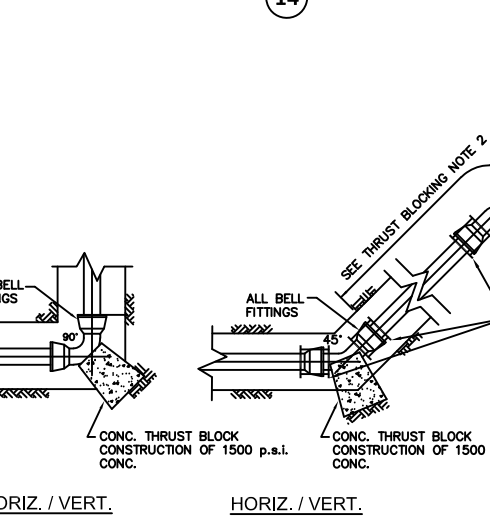
11 Mechanical Joint Fitting and PVC Pipe
Scale: NTS



12 Blow Off Detail
Scale: NTS



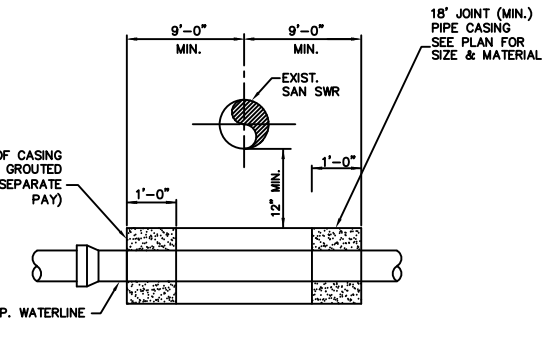
14 BEDDING AND BACKFILL AUGER PIT AND AUGER HOLE
Scale: NTS



15 Joint Restraint Details
Scale: NTS

MIN. WALL THICKNESS PIPE AND FITTINGS	
4"	0.250"
6"	0.280"
8"	0.322"
12"	0.375"
and Larger	

All Materials and Coatings to be in accordance with the Specifications. Insulated joint to be made up using Insulating Gaskets, Plastic Bolt Sleeves and Washers of Insulating Gaskets material backed with Cad-Plated Washers, or other methods approved by the Engineer.



13 Water Line Casing Pipe Detail for Sewer Crossings Clearance
Scale: NTS

- GENERAL NOTES**
1. WATER SERVICE NEEDS TO EXTEND BEHIND THE CURB AND TERMINATE AT THE METER BOX.
 2. TAPPING SADDLES FOR WATER MAINS NEED TO BE SMITH-BLAIR STAINLESS STEEL TAPPING SLEEVE OR APPROVED EQUAL
 3. IF WATER SERVICES ARE BEING SPLIT BETWEEN 2 RESIDENTIAL PROPERTIES, THEY SHOULD BE A MINIMUM OF 1-1/2".
 4. NO BUILT IN METER COUPLING ON THE CITY SIDE OF THE METER; IT SHOULD BE COMPRESSION BY IRON PIPE THREADS.

7 Typical Thrust Blocks
Scale: NTS

MK.	DESCRIPTION	DATE	DWN.	CHK.

City of Galveston, Texas
Department of Public Works
Water Line Construction Details

SHEET NO.:	SCALE:	SHEET
DATE: DECEMBER, 2016	HORIZ : NTS VERT : NTS ONE INCH	1
DWN BY:	IF ABOVE MARK DOES NOT MEASURE ONE INCH, THEN THIS DWG. NOT TO SCALE	OF 1
CHKD BY:		